

## OV SINGLE BASKET STRAINER

Model OV

(Sizes 20mm (3/4") – 150mm (6"))

OV Single basket strainers provide a cost-effective method of protecting pipeline equipment, cleaning liquids or salvaging valuable solids. Incorporated are a number of special features and optional extras.

The filter is of cast construction and is supplied with one high quality stainless steel cylindrical basket. It is used in liquid handling installations where the flow can be shut off for short periods to allow the removal of the basket for cleaning.



### MAIN FEATURES

- High quality 316 grade stainless steel basket with large filtration areas resulting in low pressure drops.
- Compact design for space saving.
- Working pressures up to 50 barg (A300 Series).
- Quick release filter covers and knobs for easy maintenance.

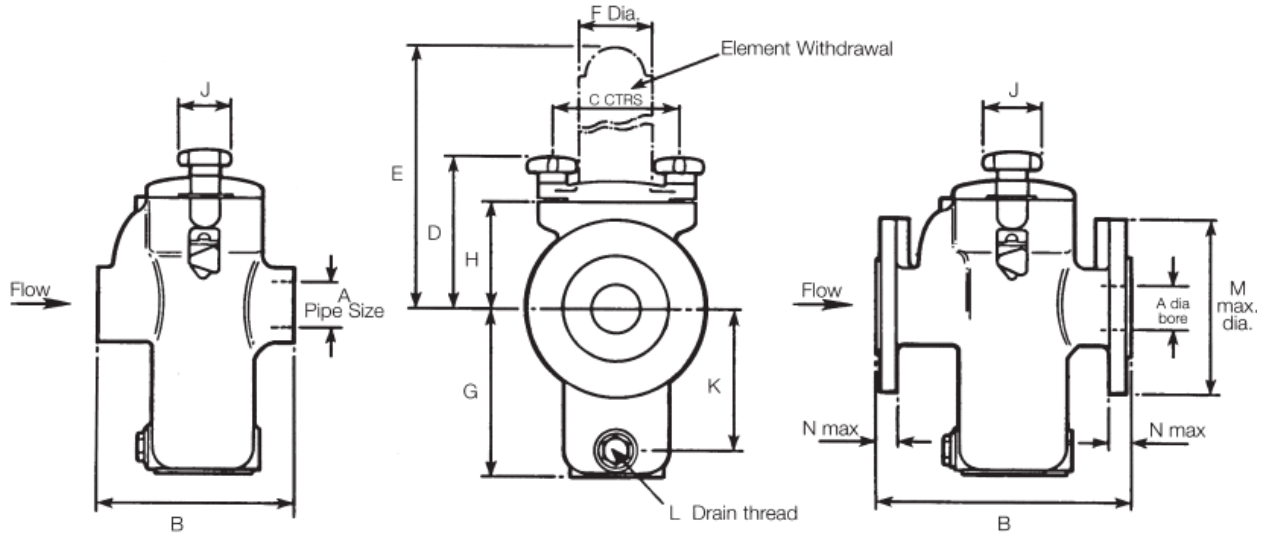
### OPTIONS

- Range of extras allowing filter to be customised.
- Available in cast iron, cast steel, bronze or stainless steel.
- Visual/Electrical differential pressure indicators are available.
- Magnetic columns (pre-magnetic filtration).

#### Product Details.

MODEL	OV	OV/S	OV/GM	OV/SS
<b>Body Material</b>	Cast Iron BS EN1561/EN-JL1030	Cast steel BS EN10213-2/1.0625	Cast Gunmetal BS1400 GRD LG4C	Cast Stainless Steel BS 1504 316 C16
<b>Cover Material</b>	Cast Iron BS EN1561/EN-JL1030	Cast steel BS EN10213-2/1.0625	Cast Gunmetal BS 1400 GRD LG4C	Stainless Steel BS 1504 316 C16
<b>Maximum working pressure</b>	17 barg at 50 C	22 barg at 50 C. A300 Series = 50 barg at 50 C	22 barg at 50 C (3/4"-1½" = 13.8 barg)	22 barg at 50 C A300 Series = 48 barg at 50 C
<b>Basket</b>	Stainless Steel Basket and Mesh Lining BS1449 Grade 316 S31			
<b>Drain plug</b>	Brass	Stainless Steel	Gunmetal	Stainless Steel
<b>Vent</b>	Stainless Steel	Stainless Steel	Phosphor Bronze	Stainless Steel
<b>Standard seals</b>	Nitrile (-30 C to +120 C)	Nitrile (-30 C to +120 C)	Nitrile (-30 C to +120 C)	Viton (-20 C to +200 C)
<b>Body colour</b>	Blue	Silver	Self	Self

**Dimensions and weights.**



**SCREWED BSPP OR NPT (Dimensions in mm)**

N.B (A)	B	C	D	E	F	G	H	J	K	L	Basket Area	Weight
¾" (20mm)	159	108	103	220	73	105	64	50	86	½" BSP	184cm <sup>2</sup>	5kg
1" (25mm)	159	108	103	220	73	105	64	50	86	½" BSP	184cm <sup>2</sup>	5kg
1¼" (32mm)	174	108	129	306	73	145	90	50	122	½" BSP	268cm <sup>2</sup>	7kg
1½" (40mm)	174	108	129	306	73	145	90	50	122	½" BSP	268cm <sup>2</sup>	7kg
2" (50mm)	270	156	165	351	112	156	112	76	131	½" BSP	484cm <sup>2</sup>	19kg
2½" (65mm)	270	156	165	351	112	156	112	76	131	½" BSP	484cm <sup>2</sup>	19kg

**Note: Weights based on cast iron units.**

**FLANGED (Dimensions in mm)**

N.B (A)	B	C	D	E	F	G	H	J	K	L	M	N	Basket Area	Weight
1" (25mm)	194	108	103	220	73	105	64	50	86	½" BSP	124	16	184cm <sup>2</sup>	8kg
1¼ (32mm)	210	108	129	306	73	145	90	50	122	½" BSP	156	18	268cm <sup>2</sup>	12kg
1½" (40mm)	210	108	129	306	73	145	90	50	122	½" BSP	156	18	268cm <sup>2</sup>	12kg
2" (50mm)	310	156	165	351	112	156	112	76	131	½" BSP	165	20	484cm <sup>2</sup>	25kg
2½" (65mm)	310	156	165	351	112	156	112	76	131	½" BSP	191	22	484cm <sup>2</sup>	25kg
3" (80mm)	343	175	198	451	132	210	140	76	186	½" BSP	210	22/24	718cm <sup>2</sup>	42kg
4" (100mm)	356	175	234	575	132	265	175	76	241	½" BSP	229/254	24	964cm <sup>2</sup>	45kg
6" (150mm)	480	-	296	728	160	361	218	-	330	½" BSP	318	26	1835cm <sup>2</sup>	100kg

Dimensions left of the oblique are for cast iron filters, Dimensions right of the oblique are for steel, stainless steel and gunmetal.

**Note: Weights based on cast iron units.**

**Please note:**

1. These specifications refer to standard products only. Alternative materials for bodies (e.g. monel, hastalloy) and seals (e.g. EPDM, PTFE) are available on request.
2. Higher pressure filters are available up to 50 barg.
3. Working pressure is stated at 50°C. to verify suitability of this equipment above this temperature or below 0°C, please contact our technical sales desk.
4. Whilst alternative seal materials e.g. EPDM, PTFE are available and can be used to offer a wide range of chemical compatibility and working temperatures up to 260°C, it is recommended that such applications are discussed with our technical sales desk.

**Revision status** – Revision01, March 2007.

Our policy is one of continuous improvement and we reserve the right to alter any details of our products at any time without prior notice.



**APPLICATION:**

**Customer Name:**

**Contact:**

**Tel / Fax:**

**email:**

**Fluid Type:**

**Flow:**

**Viscosity:**

**Filtration Rating:**

**% Debris:**

**Nature Debris: (Sand, fibres, ?)**

**Operating Pressure:**

**Operating Temperature:**

<b>Installation:</b>	<b>Pump Suction</b>	<b>MAX DP = 0.1 Bar</b>
	<b>After Pump</b>	<b>MAX DP = 0.2 Bar</b>

**FILTER SIZING CALCULATION:**

**Filter Body Material:** Cast Iron / Steel / Stainless Steel / Bronze

**OPTIONS:**

Differential Pressure Indicator – Visual / Visual Electrical  
Pre Magnetic Filtration

**Documents Required:**

Certificates / Drawings