

→ **Series 651mWIK**



■ SUITABLE FOR

Warm water



■ EXAMPLES OF USE

For the protection of:

- closed circuit water heaters for drinking water and process water. The safety valve is installed in the cold water inlet of the hot water heater.

**Not permitted in Germany.**

- water heaters for potable and process water and -storage tanks

**Safety valves are set and sealed at the factory.**



■ MATERIAL



■ SPECIFICATION



1/2" – 2"



– 10°C to + 95°C



3,0 – 10 bar

■ APPROVALS

European Pressure Equipment Directive

TR ZU 032/2013 - TR ZU 010/2011

Type approval ACS

Requirements

PED 2014/68/EU

Classification society

American Bureau of Shipping	ABS
Det Norske Veritas	DNV
Bureau Veritas	BV
Russian Maritime Register of Shipping	RS

■ MATERIALS

Component	Material	DIN EN	ASME
Inlet body	Gunmetal	CC499K	CC499K
Outlet body	Gunmetal	CC499K	CC499K
Internal parts	Brass	CW617N	CW617N
Spring	Spring steel with anti-rust protection	1.1200	ASTM A228

### ■ VALVE VERSION

<b>m</b>	Standard with diaphragm	The diaphragm prevents the medium entering into the spring housing and protects moving parts from being affected by the medium.
----------	-------------------------	---

### ■ MEDIUM

<b>WI</b>	Warm water (international)	Water heaters with temperatures $\leq 95^{\circ}\text{C}$
-----------	----------------------------	---

### ■ TYPE OF LIFTING MECHANISM

<b>K</b>	Standard with twist-type lifting mechanism
----------	--

### ■ AVAILABLE NOMINAL DIAMETERS AND CONNECTION SIZES

Nominal diameter DN	15	20	25	32	40	50
<b>Inlet</b>	1/2" (15)	3/4" (20)	1" (25)	1 1/4" (32)	1 1/2" (40)	2" (50)
<b>Outlet</b>	1/2" (15)	■				
	3/4" (20)		■			
	1" (25)			■		
	1 1/4" (32)				■	
	1 1/2" (40)					■
2" (50)						■

### ■ TYPE OF CONNECTION INLET / OUTLET THREADED CONNECTIONS

<b>f / f</b>	Standard	Female thread BSP-P / Female thread BSP-P	DIN EN ISO 228-1 / DIN EN ISO 228-1
--------------	----------	---	-------------------------------------

### ■ SEALS

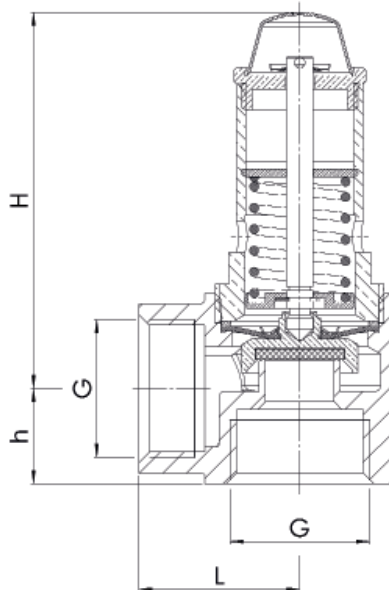
<b>EPDM</b>	Ethylene propylene diene	Elastomere flat seal and diaphragm (up to 100% glycol resistant)	-10°C to +95°C
-------------	--------------------------	--	----------------

■ NOMINAL DIAMETERS, CONNECTIONS, INSTALLATION DIMENSIONS

Series 651mWIK: Connection, installation dimensions, ranges of adjustment							
Nominal diameter	DN	15	20	25	32	40	50
Connection DIN EN ISO 228	G	1/2" (15)	3/4" (20)	1" (25)	1 1/4" (32)	1 1/2" (40)	2" (50)
Outlet DIN EN ISO 228	G	1/2" (15)	3/4" (20)	1" (25)	1 1/4" (32)	1 1/2" (40)	2" (50)
Installation dimensions in mm	L	26	31	35	40	46	54
	H	70	70	80	100	140	155
	h	17	18	22	25	28	34
	SW	27	32	40	49	56	68
	do	10	13	16	18	22	25
Weight	kg	0,2	0,3	0,5	0,7	1,2	1,6
Set pressure <sup>1</sup>	bar	6; 8; 10	6; 8; 10	6; 8; 10	6; 8; 10	6; 8; 10	6; 8; 10

<sup>1</sup>Other set pressures available on request against surcharge

■ MAIN DIMENSIONS, INSTALLATION DIMENSIONS



■ INDIVIDUAL SELECTION / VALVE CONFIGURATION

Series	Valve version	Medium	Lifting device	Nominal diameter DN	Connection type		Connection size		Seal	Options	Set pressure	Quantity
					Inlet	Outlet	Inlet	Outlet				
651	m	WI	K	20	f	f	20	20	EPDM		7,0	3
651	m	WI	K		f	f			EPDM			
651	m	WI	K		f	f			EPDM			
651	m	WI	K		f	f			EPDM			

In this table you can configure a valve according to your individual requirements (similar to the *example* shown, which should be deleted before you enter your own data). Please complete the table by hand using the abbreviations in this datasheet and then fax it to: +49(0)7141.4889488  
Please do not forget to add your personal data so that our sales team can contact you.

Name \_\_\_\_\_

First Name \_\_\_\_\_

Company \_\_\_\_\_

Telephone \_\_\_\_\_

E-Mail \_\_\_\_\_

■ CAPACITY TABLE

Series 651mWIK: Blowing-off rates at 0,6 bar or 10% above set pressure								
Nominal diameter DN		15	20	25	32	40	50	
Set pressure bar		6; 8; 10	6; 8; 10	6; 8; 10	6; 8; 10	6; 8; 10	6; 8; 10	
For 8000 liters or more the heating power determines the connection size								
Warm water	Contents of the service water tank in l	over to	120	1.000	1.000			
	Heating output in Gcal/h	1 bar				12,6	18,4	22,2
		2 bar				13,4	22,6	26,4
		3 bar				16,8	23,6	30,0
		4 bar				18,5	24,6	34,1
		5 bar				17,6	28,5	37,3
		6 bar				20,0	30,2	39,0
		7 bar				23,5	35,2	41,0
		8 bar				23,5	36,9	43,5
		9 bar				24,4	38,7	44,1
		10 bar				25,2	43,6	46,0