

# Flow monitor, vertical mounting position, sight-glass display, for water and similar media, model FWS-DWG

Option: Explosion-protected version



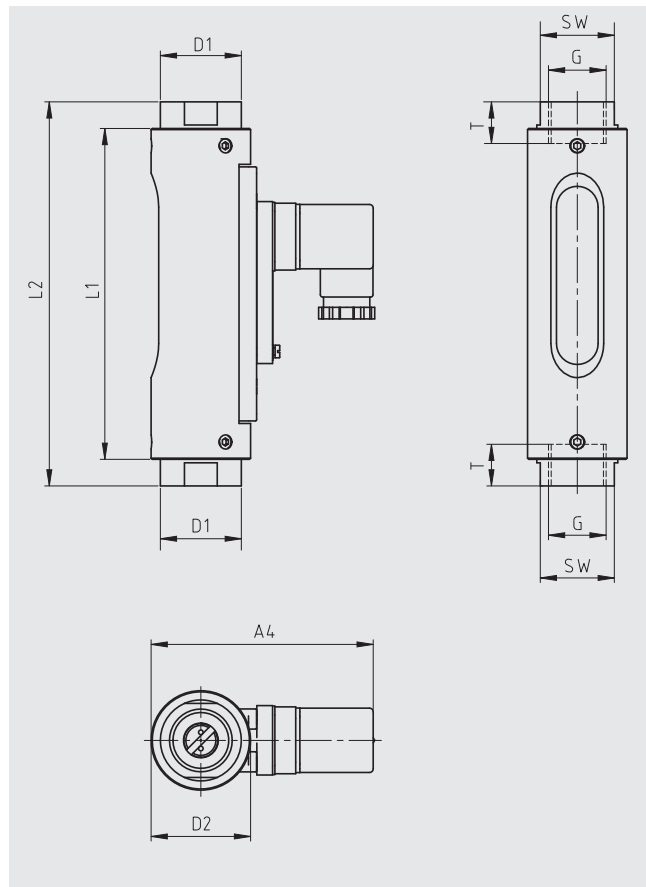
## Specifications

Main body	Nickel-plated brass or stainless steel 1.4571 Exterior case from anodised aluminium
Mounting position	Vertical
Display	Sight-glass
Process connections	Female thread G 1/4 ... 1 or 1/4 ... 1 NPT
Max. operating pressure	10 bar
Pressure loss	0.01 ... 0.2 bar
Tolerance	±5 % of full scale value

Versions	Max. ambient temperature	Ingress protection
Instrument connector DIN 43650 form A	100 °C (option 160 °C)	IP 65
1 m cable	100 °C (option 160 °C)	IP 67
Instrument connector M12 x 1	85 °C	IP 67
Ex version (2 m cable)	75 °C	IP 67

Electrical data	Normally open	Change-over contact
Standard	250 V / 3 A / 100 VA	250 V / 1.5 A / 50 VA <sup>1)</sup>
Ex version	250 V / 2 A / 60 VA ATEX II 2G Ex mb II T6	250 V / 1 A / 30 VA <sup>1)</sup>

1) Minimum load 3 VA



Model	Switching ranges in l/min		Dimensions in mm					G	T	L1	L2	SW	Weight in g
	H <sub>2</sub> O at 20 °C	Air	D1	D2	A4								
FWS-DWG-1.5	0.1 ... 1.5	-	35	43	approx. 96	1/4"	10	121	132	32	625		
						3/8"	11	121	135				
						1/2"	14	121	135				
FWS-DWG-3	0.2 ... 3	-	35	43	approx. 96	1/4"	10	121	132	32	625		
						3/8"	11	121	135				
						1/2"	14	121	135				
FWS-DWG-8	0.3 ... 8	-	35	43	approx. 96	1/4"	10	121	132	32	625		
						3/8"	11	121	135				
						1/2"	14	121	135				
FWS-DWG-12	1 ... 12	-	35	43	approx. 96	1/4"	10	121	132	32	625		
						3/8"	11	121	135				
						1/2"	14	121	135				
FWS-DWG-18	2 ... 18	-	35	43	approx. 96	1/2"	14	143	163	32	650		
						3/4"	15	143	163				
FWS-DWG-35	3 ... 35	-	45	50	approx. 104	3/4"	15	143	163	41	850		
FWS-DWG-50	4 ... 50	-	45	50	approx. 104	1"	17	143	163	41	1,000		
						3/4"	15	143	163				