

## Reflex level gauge LG40-x2

Sight openings staggered, even number, lateral connection

### Application and function

The reflex level gauge is a direct level gauge which can be used for steam boilers and containers. In the sight opening, the water level is indicated dark and the steam light.

The product corresponds to the PED directive 97/23/EEC art. 3 par. 3 SEP. (Sound Engineering Practice).

Applied rules as per TRD/AD2000 or ASME Boilers.

x = Quantity of shutoff possibilities (valve)

### Technical basic equipment

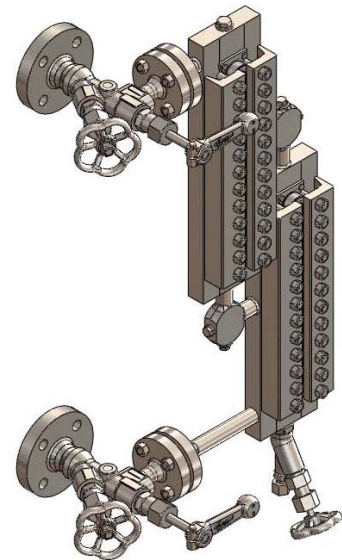
- Body material carbon steel
- Sight lengths see table
- As left sided (mapped) or right sided model
- With drain valve and ventilation plug
- Shutoff valves A130 or A220
- Drain valve AV500

### Available (optional) versions

- Body material stainless steel
- Body material according ASTM
- Other drain valve on request

### Technical data

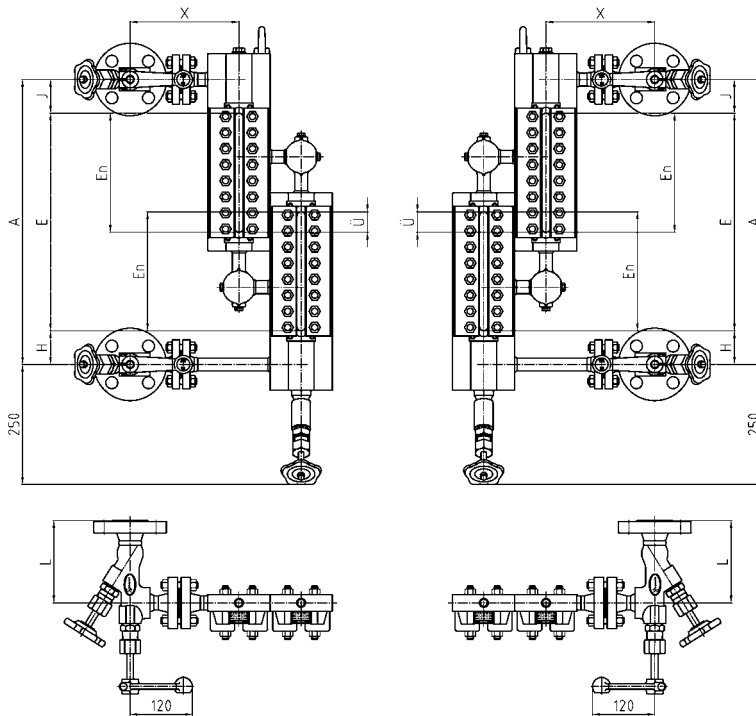
All. pressure	PS	[bar]	32	
All. temp.	TS	[° C]	239	
Drain valve	Type	AV500		
	Data sheet	D-09-D-16358-0		
Shutoff valve	Type	A130	Data sheet	D-09-D-16354-0
	Type	A220	Data sheet	D-09-D-16356-0



**Dimensions**

**Left sided model**

**Right side model**



Size		5/nv	6/nv	7/nv	8/nv	9/nv	10/nv
Single sight length	E [mm]	200	230	260	300	320	350
Dimension	H/J <sub>min</sub> [mm]	25					
	H/J <sub>max</sub> [mm]	On request					
	X [mm]	210					

n = Quantity of sight openings

Allowable pressure PS [bar]	Valve	Flange	L [mm]	Welding end	L1 [mm]
32	A130	DN20 DIN 2635-C	120		
32	A130	DN25 DIN 2635-C	120		
32	A130			DN20 DIN 3229	175
32	A220	DN20 DIN 2635-C	170		
32	A220	DN25 DIN 2635-C	150		
32	A220			DN25 DIN 3229	175

