

# 3-Way Sight Flow Indicators

with *flanged* connection acc. to **DIN - PN 16,25,40**

Cast steel                   GS-C 25 (1.0619)  
Stainless steel           WN 1.4408



Bauform 972

## Application:

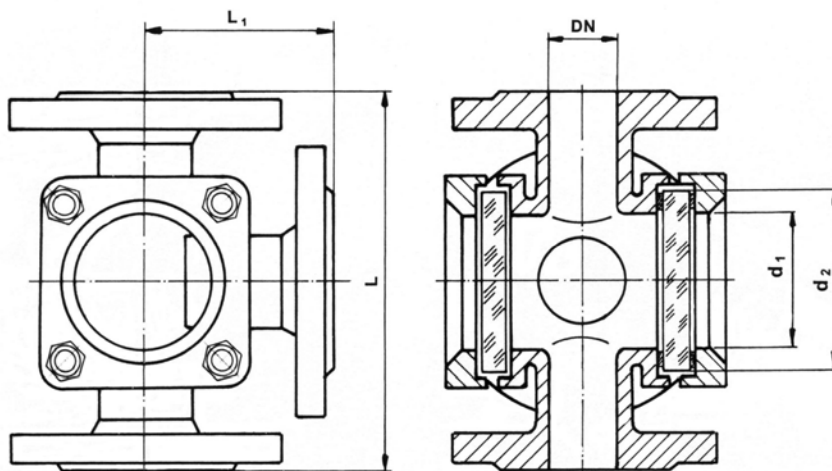
The flow indicators are used for optical control of fluids and gases, for horizontal and vertical pipe lines.

## Certificate ( Option ) :

Acc. to EN 10204 - 2.2 or  
Acc. to EN 10204 - 3.1

## Options:

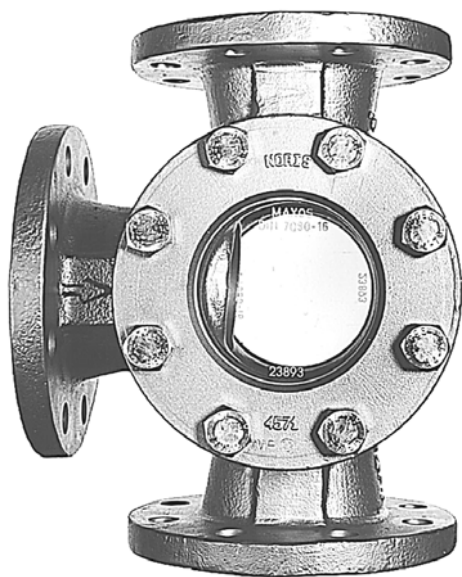
- with - Heating jacket
- Sight glass light - fitting
- ANSI flanges
- Extra length
- Special sealing system acc. to DIN 28121
- Special design acc. to customer



## Dimensions:

DN	L	L <sub>1</sub>	d <sub>1</sub>	d <sub>2</sub>
15	130	65	32	45
20	150	75	32	45
25	160	80	48	63
32	180	90	65	80
40	200	100	65	80
50	230	115	80	100
65	290	145	80	100
80	310	155	100	125
100	350	175	125	150

Details to materials or dimensions about glass plates see our NORIS-Bauform 882  
DN 125 to DN 250 on request



## Materials:

Body	Steel	Stainless steel
Covers	C 22.8	Stainless steel
Sight glasses	Borosilicate glass acc. to DIN 7080 max. 280°C Soda lime glass acc. to DIN 8902 max. 150°C	
Screws	4.6 gal.	A4-70
Gaskets	Graphite	

Modifications reserved



AVEMAR CZECH s.r.o. | speciální armatury pro měření a regulaci |  
Branch office Lihovarská 1199/10 | 716 03 Ostrava - Radvanice | Česká republika |  
Tel.: +420 596 232 996 (7) | Fax: +420 596 232 998 | www.avemar.cz | avemar@avemar.cz |