

Sight Flow Indicators (Straight line)

with **butt weld ends**



Cast Steel GS-C 25 (1.0619 / GP240GH)
Stainless steel WN 1.4408

Bauform 880-S

Application:

The NORIS flow indicators are used for optical control of fluids and gases, for horizontal and vertical pipe lines. Also available with internal spinner or flap.

Installation:

Optional: Take care of flow direction

Operating conditions:

Working pressure: max. 16 / 25 / 40 bar
 Working temperature: max. 150°C or 280°C

Materials:

Body	GS-C 25	1.4408
Covers	GS-C 25 / S235JRG2	1.4408 / 1.4301
Screws	4.6 / 5.6	A4-70
Sight glass	Borosilicate glass DIN 7080 (280°C) Soda-lime glass DIN 8902 (150°C)	
Gaskets	Graphite, (or other materials)	

Certificate: (Option)

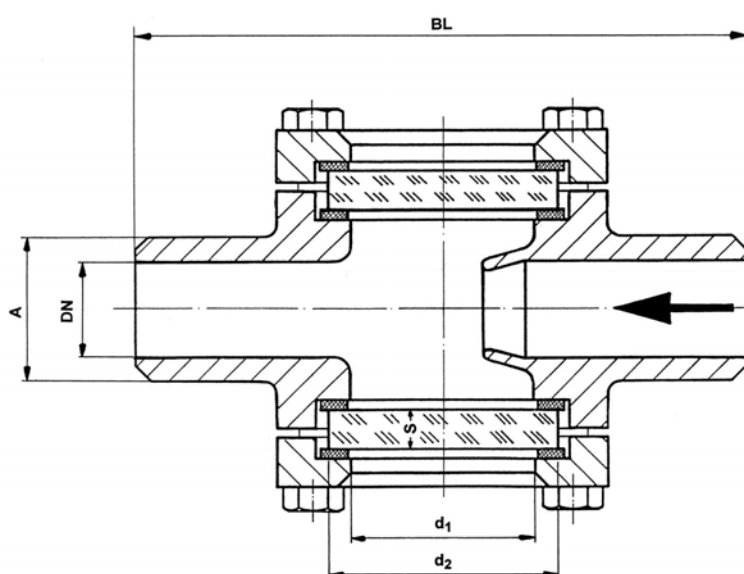
Acc. to EN 10204-2.2 or 3.1

Options:

- with - Spinner or Flap
- Heating jacket
- Sight glass light - fitting

Ordering example:

Sight Flow Indicators Bauform 880-S,
 butt weld ends; GS-C 25,
 borosilicate glass DIN 7080-16 (bar)
 DN 50 / 61,0



Dimensions:

DN / A	BL	d ₁	d ₂	S		
				PN 16	PN 25	PN 40
15 / 22,0	100	32	45	10	10	10
20 / 28,0	100	32	45	10	10	10
25 / 34,0	120	48	63	10	12	15
32 / 42,0	120	48	63	10	12	15
40 / 49,0	160	65	80	12	15	20
50 / 61,0	230	80	100	15	20	25
65 / 77,0	290	80	100	15	20	25
80 / 90,0	310	100	125	20	25	30
100 / 115,0	350	125	150	25	30	35
125 / 141,0	400	150	175	25	30	a.A.
150 / 170,0	480	175	200	30	35	a.A.
200 / 222,0	600	175	200	30	35	a.A.
250 / 276,0	730	175	200	30	35	a.A.

Modifications reserved



AVEMAR CZECH s.r.o. | speciální armatury pro měření a regulaci |
 Provozovna | Lihovarská 1199/10 | 716 03 Ostrava - Radvanice | česká republika |
 Tel.: +420 596 232 996 (7) | Fax: +420 596 232 998 | www.avemar.cz | avemar@avemar.cz |