

Sight Flow Indicators (straight line) *with Flap* with *flanged* connection acc. to *DIN - PN 16 / 25 / 40*



Cast Iron GG 25 (EN-GJL-250) max 16 bar
Cast Steel GS-C 25 (1.0619 / GP240GH)
Stainless Steel WN 1.4408

Bauform 880-K

Application:

The flow indicators are used for optical control of fluids and gases, for horizontal and vertical pipe lines. Also available with internal spinner.

Installation:

Horizontal or vertical (flow direction from bottom to top) for constant flow direction

Operating conditions:

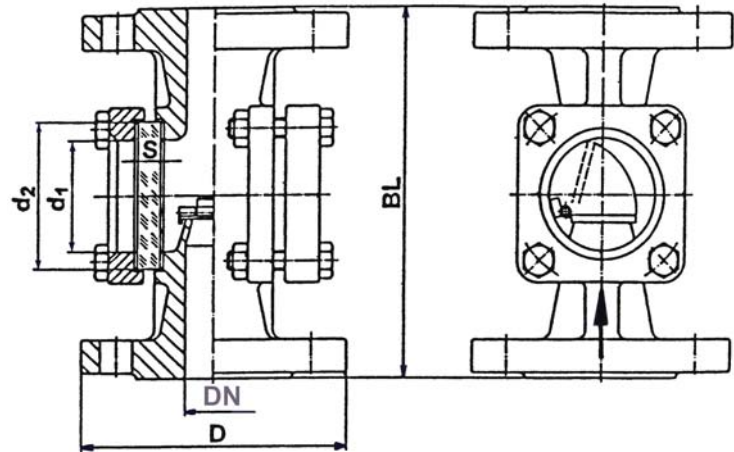
Working pressure: max. 16 / 25 / 40 bar
 Working temperature: max. 150°C or 280°C

Certificate: (Option)

Acc. to EN 10204-2.2 or 3.1

Options:

- with - ANSI-flanges
- Butt weld ends
- Spinner
- Heating jacket
- Sight glass light - fittings



Materials:

Body	GG 25	GS-C 25	1.4408
Covers	GG 25 / S235JRG2	GS-C 25 / S235JRG2	1.4408 / 1.4301
Screws	4.6 / 5.6 gal.		A4-70
Glasses	Borosilicate glass DIN 7080 (280°C) Soda lime glass DIN 8902 (150°C)		
Gaskets	Graphite, (or other materials)		
Flap	1.4571		

Ordering example:

Sight Flow Indicators with flap; Bauform 880-K,
 GG 25, borosilicate glass DIN 7080
 DN 50, PN 16



Dimensions:

DN	D	BL	d ₁	Glass plate			
				d ₂	S		
					PN 16	PN 25	PN 40
15	95	130	32	45	10	10	10
20	105	150	32	45	10	10	10
25	115	160	48	63	10	12	15
32	140	180	48	63***	10	12	15
40	150	200	65	80	12	15	20
50	165	230	80	100	15	20	25
65	185	290	80	100	15	20	25
80	200	310	100	125	20	25	30
100	220(235) *	350	125	150	25	30	35
125	250(270) *	400	150	175	25	30	a.A.
150	285(300) *	480	175	200	30 **	35	a.A.
200	340(360/375)*	600	175	200	30 **	35	a.A.
250	405(425/450)*	730	175	200	30 **	35	a.A.

* D in () acc. to PN 25 / PN 40

** 16 bar only with borosilicate glass possible

*** by GG25 glass plate Ø 80x12

Modifications reserved



AVEMAR CZECH s.r.o. | speciální armatury pro měření a regulaci |
 Branch office Lihovarská 1199/10 | 716 03 Ostrava - Radvanice | Czech Republic |
 Tel.: +420 596 232 996 (7) | Fax: +420 596 232 998 | www.avemar.cz | avemar@avemar.cz |