

Sight Glass Fittings, circular,
acc. to **DIN 28121**
to be **mounted** to existing **DIN**-flanges



Bauform 121

Application:

For observation and lightning the inside of closed containers (boilers, tanks, silos a.s.o). Fitting will be delivered totally mounted and must only be screwed on an existent flange.

Operating conditions:

Working pressure: 10 bar or 25 bar
Working temperature: 200°C

Certificate: (Option)

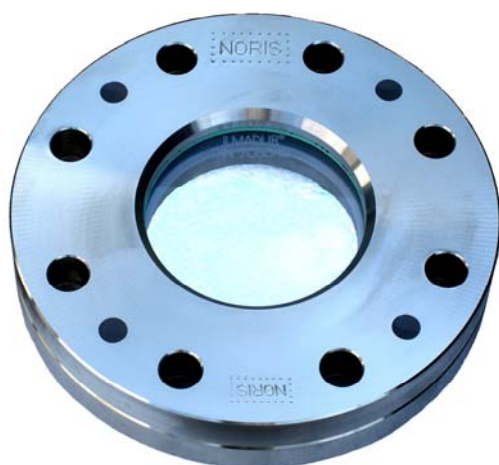
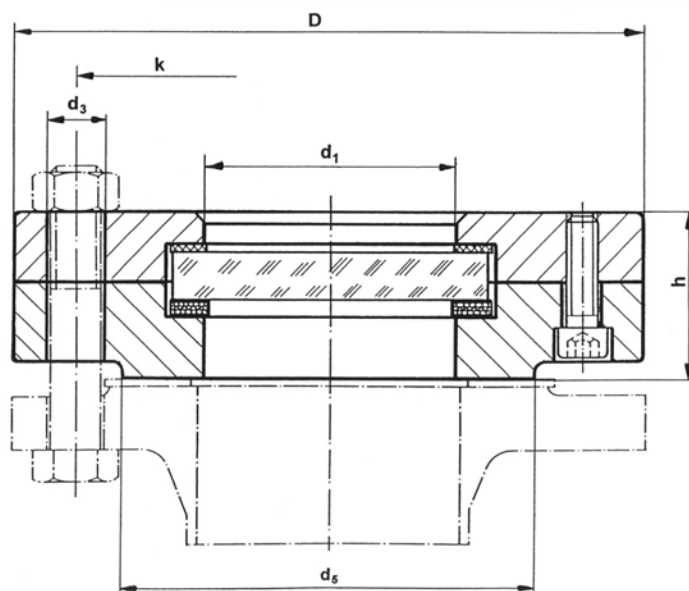
Acc. to EN 10204-2.2 or
Acc. to EN 10204-3.1

Materials:

Base and
Cover flanges: Steel / Stainless Steel 1.4571
or other materials
Sight glasse: Borosilicate glass
acc. to DIN 7080
Gasket: PTFE enveloped gasket (up to 200°C)

Options:

- Flanges with groove or tongue a.s.o.
- Spezial design for more then 200°C
- bigger sizes (DN 250 a.s.o.)
- Safety double windows
- Sight glass light fittings
- Base-flange lined
- acc. to ANSI-connection



Dimensions

DN	bar	D	d ₁	d ₅	h	k	d ₃
40	10	150	48	88	36	110	4 x Ø 18
	25				38		
50	10	165	65	102	38	125	4 x Ø 18
	25				41		
80	10	200	80	138	46	160	8 x Ø 18
	25				50		
100	10	220	100	158	46	180	8 x Ø 18
	25	235		162	59	190	8 x Ø 22
125	10	250	125	188	54	210	8 x Ø 18
	25	270		66	220	8 x Ø 26	
150	10	285	125	212	54	240	8 x Ø 22
	25	300		218	66	250	8 x Ø 26
200	10	340	150	268	54	295	8 x Ø 22
	25	360		278	66	310	12 x Ø 26

Modifications reserved



AVEMAR CZECH s.r.o. | speciální armatury pro měření a regulaci |
Branch office | Lihovarská 1199/10 | 716 03 Ostrava - Radvanice | česká republika
Tel.: +420 596 232 996 (7) | Fax: +420 596 232 998 | www.avemar.cz | avemar@avemar.cz |