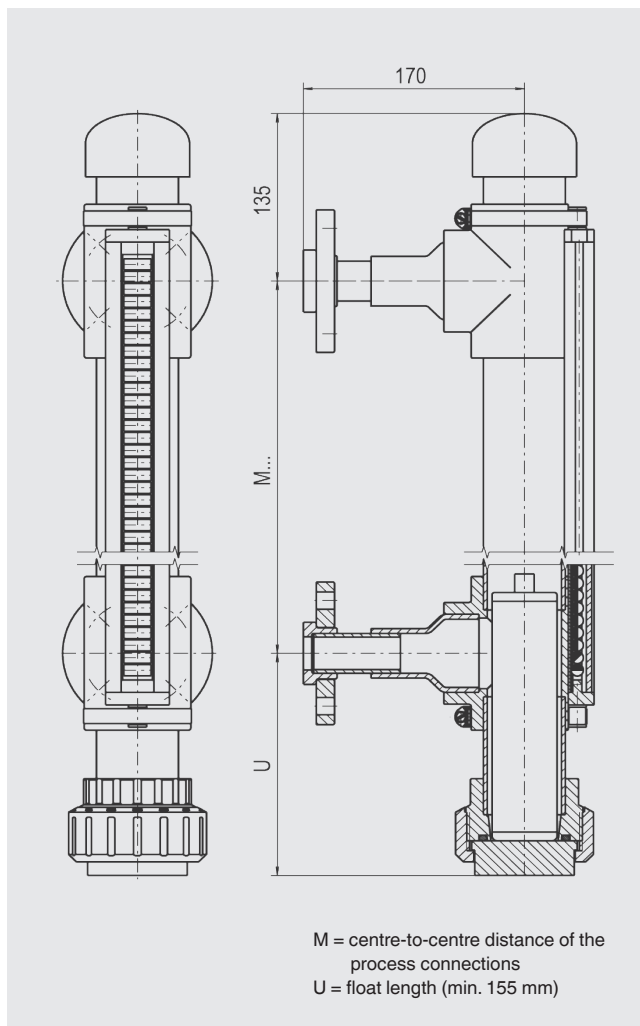


Bypass level indicator, plastic version, model BNA-P

Bypass chamber and float from PVDF or PP



Specifications

Bypass chamber	Ø 63 x 3 mm, max. 6 bar
Chamber end top	Welding cap, threaded connection Options: (see page 14) ■ Vent screw ■ Vent valve ■ Vent flange
Chamber end bottom	Threaded connection Options: (see page 14) ■ Drain plug ■ Drain valve ■ Drain flange
Process connections	2 x lateral (options see page 15) Flange EN 1092-1, DN 15 - DN 50, PN 16 Flange DIN, DN 15 - DN 50, PN 16 Flange ANSI B 16.5, 1/2" - 2", class 150 Weld stub 1/2" - 1" Threaded bushing G/NPT 1/2" - 1" Threaded nipple G/NPT 1/2" - 1"
Centre-to-centre distance	Min. 200 mm to max. 4,000 mm (larger distances on request)
Material	PVDF or PP
Nominal pressure	Max. 6 bar
Temperature range	PVDF: -10 ... +100 °C PP: -10 ... +80 °C
Float	Plastic float, model BFT-P, see data sheet LM 10.02
Magnetic display	Standard version, model BMD-S, see data sheet LM 10.03
Level sensor	Reed sensor, model BLR, see data sheet LM 10.04 Magnetostrictive sensor, model BLM, see data sheet LM 10.05
Magnetic switches	Magnetic switch, model BGU, see data sheet LM 10.06
Approvals	-

Special versions on request