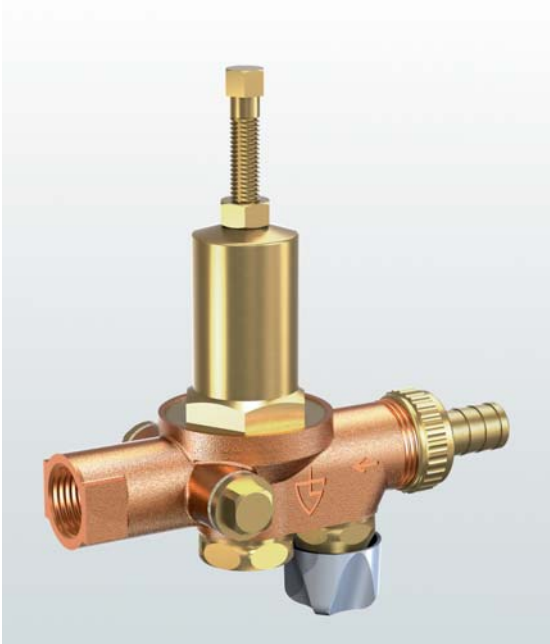


→ **Type 905H**



■ MATERIAL



■ SPECIFICATION



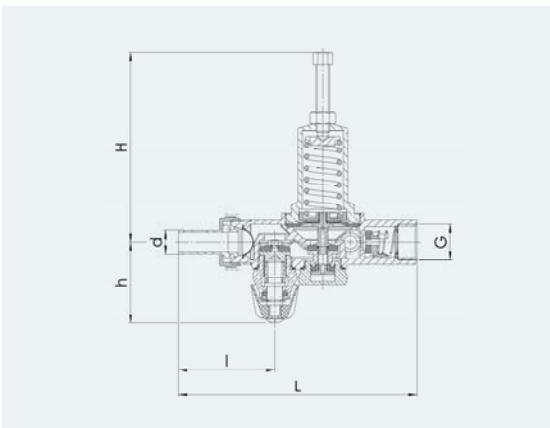
1/2"



from -10°C
to +95°C



Inlet pressure:
up to 25 bar
Outlet pressure:
from 0,5 to 3,5 bar



■ SUITABLE FOR

Liquids	neutral	
---------	---------	--

■ EXAMPLES OF USE

For the protection of:

- heating systems according to DIN 4751 and DIN EN 12828 to prevent damage due to excess pressure during filling.

The filling valve is installed in the feed line. The filling of the system is automatically controlled by the built-in pressure reducer. The filling valve shuts off when the set pressure is reached and thus prevents overfilling.

For use in Germany the hose connection has to be disconnected from the filling valve after filling of the plant. For use outside Germany this valve can be supplied with a male union joint G 1/2" on the inlet side. Please inform us when ordering which kind of connection you require.

■ VALVE VERSION

Consists of shut-off valve, pressure reducer, stainless steel strainer insert with mesh size 0,25 mm, gauge connection G 1/4" on both ends, non-return valve, control screw for non-return valve, hose connection on inlet side 1/2" (Germany) or threaded male connection G1/2" and threaded female connection on the outlet side.

[Order example](#) for filling valve 905H-15

Optional: Pressure gauge 36 or 39 (see Chapter Accessories)

■ NOMINAL DIAMETERS, CONNECTIONS, INSTALLATION DIMENSIONS

Type 905: Connection, installation dimensions, ranges of adjustment		
Nominal diameter	DN	15
Connection DIN EN ISO 228	G	1/2" (15)
Inlet pressure up to	bar	25
Outlet pressure	bar	0,5–3,5
Installation dimensions in mm	L	142
	l	58
	H	115
	h	50
	d	15
Weight	kg	0,75

■ MATERIALS

Component	Material	DIN EN	ASTM / AISI
Body	Gunmetal	CC499K	UNS C83600
Internal parts	Brass	CW614N	UNS C37700
Spring	Spring steel	1.1200	–
Seals	NBR, EPDM		