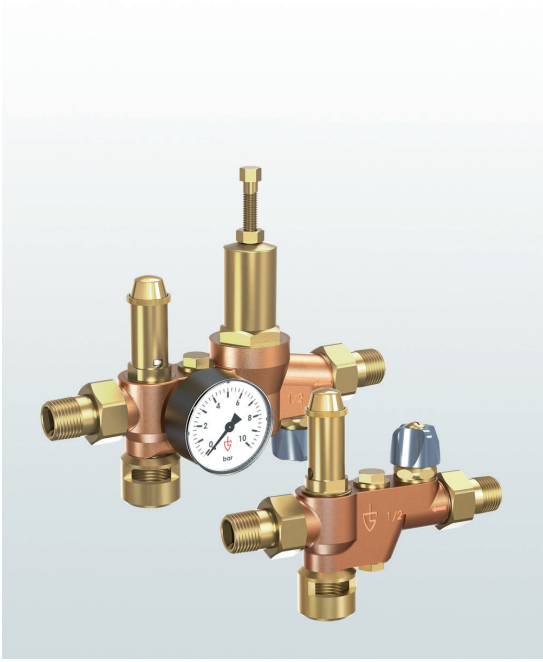


## → Series 669



### ■ MATERIAL



### ■ SPECIFICATION



1/2" and 3/4"\* – 10°C to + 95°C 3,0 – 10 bar

\* DN20 only valid for variant sWK

### ■ SUITABLE FOR

Warm water



### ■ EXAMPLES OF USE

For the protection of:

- closed circuit water heaters for drinking water and process water.  
The safety valve assembly is installed in the cold water inlet of the hot water heater. The use of this compact valve assembly ensures that the correct order of the valves according to DIN 1988 is adhered to.

- water heaters for potable and process water and -storage tanks

**The safety valve of the valve assembly is set and sealed at the factory.**

### ■ APPROVALS

European Pressure Equipment Directive

TR ZU 032/2013 - TR ZU 010/2011

Requirements

PED 2014/68/EU

UK PESR 2016 No. 1105

### ■ MATERIALS

Component	Material	DIN EN	ASME
Inlet body	Gunmetal	CC499K	CC499K
Outlet body	Gunmetal	CC499K	CC499K
Internal parts	Brass	CW617N	CW617N
Spring	Spring steel with anti-rust protection	1.1200	ASTM A228

<b>s</b>	Standard	consisting of: shut-off valve, dirt trap with fine stainless steel strainer, control screw for non-return valve, non-return valve, diaphragm safety valve with drain valve, threaded connections on both ends.
<b>p</b>	Version with pressure reducer	in addition to standard version equipped with a pressure reducer and a pressure gauge for the outlet pressure. For water pressures over 4,5 bar it is necessary to install a pressure reducer on the inlet side. The replaceable pressure reducing valve that is integrated in the safety valve assembly consists of a pressure-relieved single seat valve with stainless steel seat, strainer made of stainless steel and fabric-reinforced elastomere diaphragm.

#### ■ MEDIUM

<b>W</b>	Warm water	Water heaters with temperatures $\leq 95^{\circ}\text{C}$
----------	------------	---

#### ■ TYPE OF LIFTING MECHANISM

<b>K</b>	Standard with twist-type lifting mechanism	
----------	--	--

#### ■ AVAILABLE NOMINAL DIAMETERS AND CONNECTION SIZES

Nominal diameter DN	15	20*
Inlet threaded connection	1/2" (15)	3/4" (20)
Outlet threaded connection	1/2" (15)	3/4" (20)

\* DN20 only valid for variant sWK

#### ■ TYPE OF CONNECTION INLET / OUTLET THREADED CONNECTIONS

<b>BSP-Tm / BSP-Tm</b>	Standard threaded connections	Male thread BSP-T / Male thread BSP-T	DIN EN 10226, ISO 7-1 / DIN EN 10226, ISO 7-1
------------------------	-------------------------------	---------------------------------------	---

#### ■ SEALS

<b>EPDM / NBR</b>	Ethylene propylene diene / Nitrile rubber	Elaatomere seals and diaphragm	$-10^{\circ}\text{C}$ to $+95^{\circ}\text{C}$
-------------------	---	--------------------------------	--

#### ■ OPTIONS

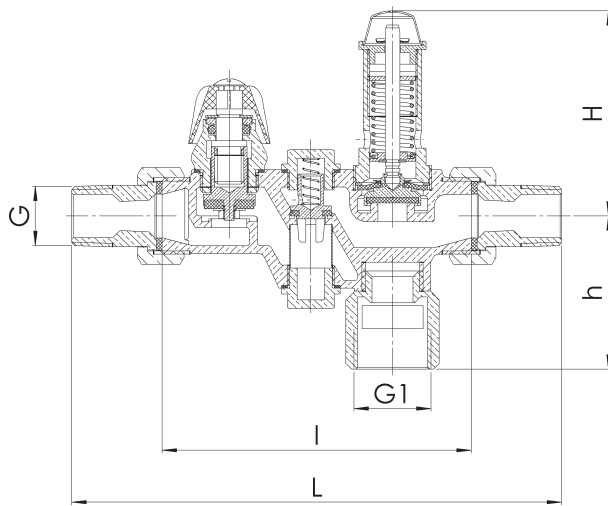
<b>Against surcharge</b>	
Galvanically nickel-plated + 25%	
Mirror finish chrome-plated + 40%	
Pressure gauge 36 (as standard for 669pWK)	Chapter Accessories

## NOMINAL DIAMETERS, CONNECTIONS, INSTALLATION DIMENSIONS

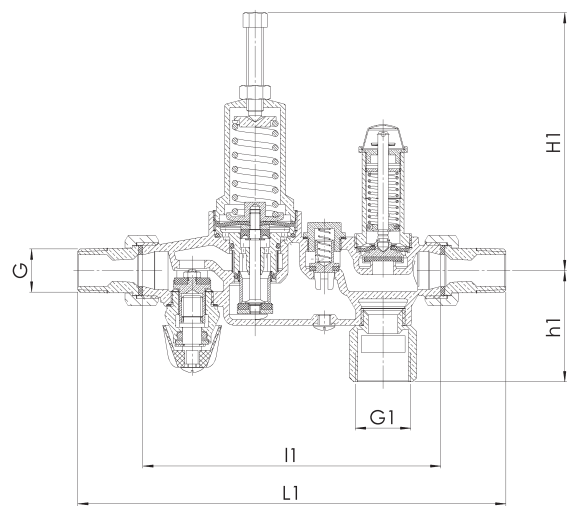
Series 669: Connection, installation dimensions, ranges of adjustment			
Nominal diameter	DN	15	20*
Inlet DIN EN 10226	G	1/2" (15)	3/4" (20)
Outlet DIN EN 10226	G	1/2" (15)	3/4" (20)
Installation dimensions in mm	L / L1	160 / 205	185 / 237
	l / l1	106 / 142	115 / 167
	H / H1	75 / 110	80 / 130
	h / h1	53 / 53	55 / 60
	G1	3/4"	1"
Weight	kg / kg1	1 / 1,4	1,3 / 2,2
Set pressure of the safety valve <sup>1</sup>	bar	6	6
		– Standard	8; 10
Pressures for pressure reducer at Version pWK	bar	25	25
		– Inlet pressure up to	1-7 (4,5)
– Outlet pressure (pre-set <sup>1</sup> )	bar		
for contents in litres up to	l	200	1000

<sup>1</sup>Other set pressures available on request against surcharge  
\* DN20 only valid for variant sWK

## MAIN DIMENSIONS, INSTALLATION DIMENSIONS



669sWK



669pWK

## INDIVIDUAL SELECTION / VALVE CONFIGURATION

Series	Valve version	Medium	Lifting device	Nominal diameter DN	Connection type		Connection size		Seal	Options	Set pressure	Quantity
					Inlet	Outlet	Inlet	Outlet				
669	s	W	K	20	BSP-T m	BSP-T m	20	20	EPDM / NBR		10,0	5
669	p	W	K	15	BSP-T m	BSP-T m	15	15	EPDM / NBR	HV, Manometer	6,0	1
669		W	K		BSP-T m	BSP-T m			EPDM / NBR			
669		W	K		BSP-T m	BSP-T m			EPDM / NBR			

## ENQUIRY

Copy and send to: [order@goetze-armaturen.de](mailto:order@goetze-armaturen.de).