

DESCRIPTION

Solenoid valve in line normally closed direct acting poppet type.

CONSTRUCTION

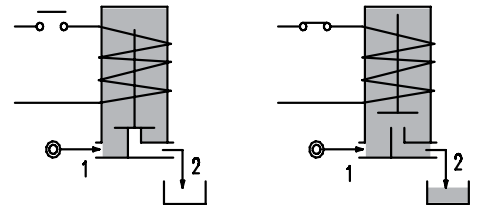
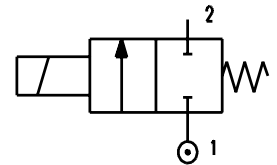
Body/Armature tube	AISI 303
Plunger and core	AISI 430FR
Springs	AISI 302
Seal material	NBR - FPM - EPDM



FEATURES

Maximum allowable pressure 80bar
 Maximum fluid viscosity 25cSt (mm²/s)
 Ambient temperature: from -10°C to +80°C according to the coil
 Universal mounting position

OPTIONS: Mounting bracket
 Versions for use with industrial oxygen
 Special coil powers
 c US certified coils



2

CONFIGURATIONS			
G1/8"MALE - Push-on for pipes Ø6x4 NW	G1/8"MALE - G1/8"FEMALE NA	G1/8"FEMALE - Push-on for pipes Ø6x4 AW	G1/8"FEMALE - G1/8"FEMALE AA

CODE ① ② ③	Orifice mm	Kv m ³ /h	Differential pressure bar			Electrical data		Coil		Seal ②	Temperature range °C
			Min	Max		Voltage (V)	Power	Series	Width		
D130.....10/...	1	0.03	0	-	8.5	12-24V DC	2 W	3	22	NBR=B	-10 +90
D130.....12/...	1.2	0.04	0	-	6						
D130.....15/...	1.5	0.06	0	-	4						
E130.....10/...	1	0.03	0	50	-	230V 50/60Hz	3.5 VA	3	22	FPM=V	-10 +140
E130.....12/...	1.2	0.04	0	40	-						
E130.....15/...	1.5	0.06	0	25	-						
E130.....10/...	1	0.03	0	50	50	All standard voltages	6.5W or 8VA	3	22	EPDM=E	-10 +140
E130.....12/...	1.2	0.04	0	50	50						
E130.....15/...	1.5	0.06	0	50	50						

- ① Configurations Example: E130NWB10///301 - G1/8" male - Push-on connections
- ② Seal NBR seals - 24V DC 6.5W
- ③ Coil

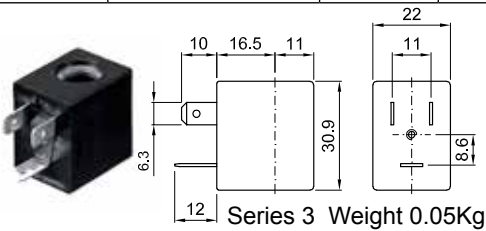
COILS	Alternating Current 50/60Hz (V)							Direct Current (V)			Electrical connection	Connectors
	12	24	48	110	220 230	240	380	12	24	48		
Series 3 Width 22 6.5W or 8VA CODE ③	30A	30B U35B 	30C	30D U35D 	30E	30F U35F 	30G	300 	301 	302	DIN 46244	PG9 CODE 10348000

DESCRIPTION
 Class F insulation
 Voltage tolerance
 AC +15% -10%
 DC ± 10%
 Protection class
 IP65 with connector fitted
 IP00 without connector
 Continuous service ED100%

COILS	Alternating Current 50/60Hz (V)	Direct Current (V)		Electrical connection	Connectors
	220-230	12	24		
Series 3 Width 22 2W or 3.5VA CODE ③	30E1P	300120	301120	DIN 46244	PG9 CODE 10348000

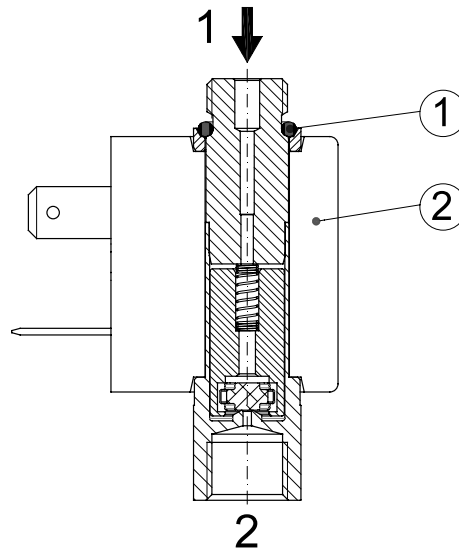
OPTIONS
 Class H insulation
 Cable attached
 Special coil voltage
 Special coil powers
 certified coils

(for more details see section 8)



SPARE PARTS LIST

1. OR
2. Coil



OVERALL DIMENSIONS

