

DESCRIZIONE

Solenoid valve 2 way normally closed direct acting poppet type
Flange fixing

With explosion proof coil certified for hazardous area:

ATEX II 2GDE_x d IIC T6 o T5 o T4 Gb

Ex tb IIIC T80°C o T95°C o T130°C Db IP66

Tamb -40°C ÷ +35°C(T6) o +50°C(T5) o +60°C(T4)

(other certifications e.g.EAC, INMETRO, CCOE etc. on request)



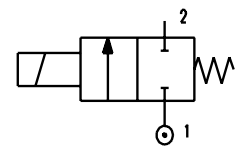
2

VALVE CONSTRUCTION

Body Brass
Seal material FPM

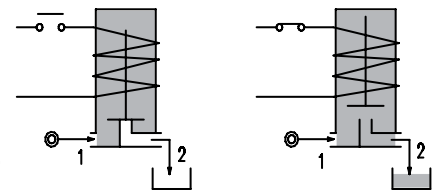
EXPLOSION PROOF COIL CONSTRUCTION

Housing Red colour alloy (painted with epoxy powder)
Electrical connection 1/2" NPT (M20x1 on request)



FEATURES

Maximum allowable pressure PS 80bar
Maximum fluid viscosity 25cSt (mm²/s)
Ambient temperature: -40°C ÷ +35°C(T6), +50°C(T5), +60°C(T4)
Mounting position with vertical coil above



OPTIONS: Manual override
Electroless nickel plating
Stainless steel seat insert

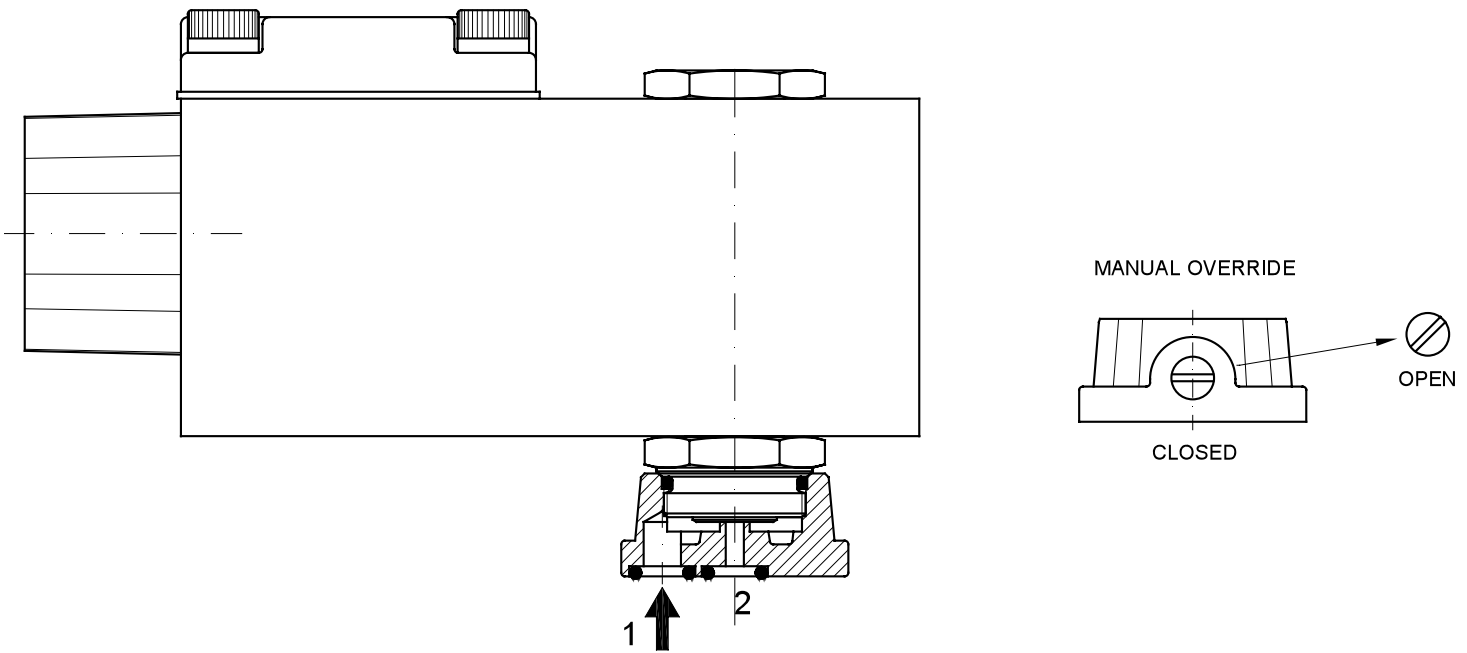
NOTE: The solenoid valve is suitable only with media that are **NOT** potentially explosive

CODE ②	Flange □ 32	Orifice mm	Kv m ³ /h	Differential pressure bar			Nominal power		Coil series	Seal	Temp. range °C
				Min	Max		AC Holding	DC			
					AC	DC					
A114XV15///...	□ 32	1.5	0.07	0	30	26	12 VA	8W	A6	FPM=V	-10 +80
A114XV20///...		2	0.1	0	22	20					
A114XV25///...		2.5	0.15	0	16	14					
A114XV30///...		3	0.25	0	15	10					
A114XV35///...		3.5	0.32	0	10	8					
A114XV40///...		4	0.36	0	8	5					
A114XV45///...		4.5	0.41	0	6.5	3.5					

② Coil

COILS	Alternating Current 50/60Hz (V)				Direct Current (V)			Electrical connection
	24	48	110	220 230	12	24	48	
Series A6 Code ②	A6B	A6C	A6D	A6E	A60	A61	A62	1/2" NPT

DESCRIPTION
 Voltage tolerance
 AC +15% -10%
 DC ± 10%
 Protection class IP66
 Continuous service ED100%



OVERALL DIMENSION

