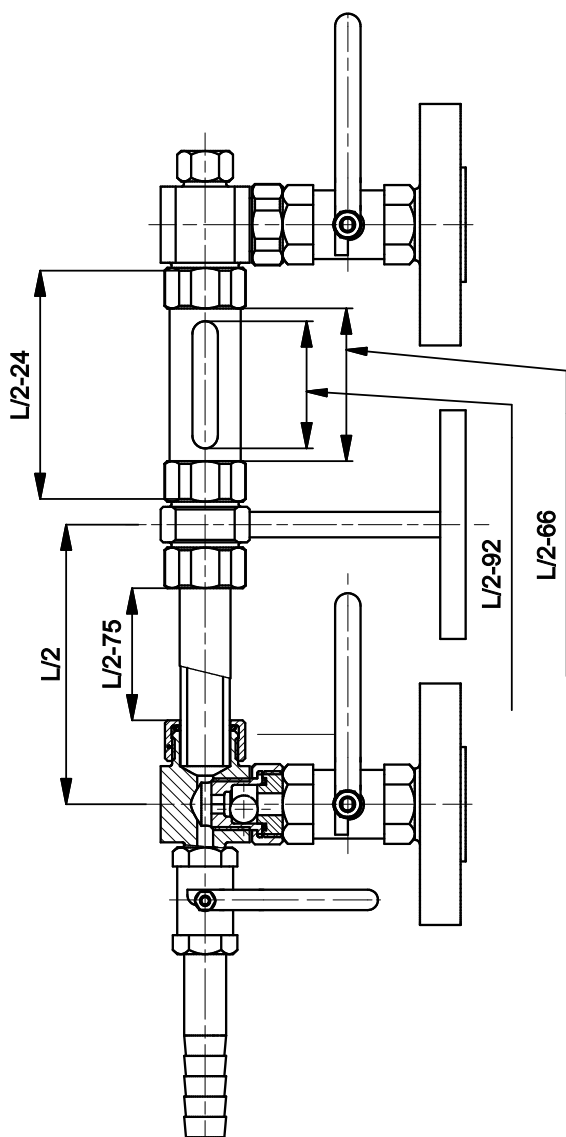


Tubular level gauge PN16		Product group	700		
With Glass or PVC-Glass pipe Ø 20 mm Max. operating temperature 200°C (Glass) / 55°C (PVC-Glass) Ball valve and self-closing ball for automatic shutoff Coupling for length (C/C) over 2000 mm PVC-Glass or Aluminium tube protection as option		Type		02X.X	
		Page:	1/1	Revision:	1
		Date:		17/04	

Ordering no.: 7 0 0 . 0 2 X . X - X X X X X - X X X X - X X . X X			
material	brass 1 stainless steel 2	glass protection	0 without 1 PVC-Glass 2 AL tube
pipe	Glass 1 PVC-Glass 2	self-closing ball	0 without 1 with
process connection	thread 0		plug
	flange 1	1 ball valve	
	weld end 2	vent	0 plug
	other S	drain	1 ball valve

connection	
DN15	DN 15
DN20	DN 20
DN25	DN 25
DN32	DN 32
DN40	DN 40
DN50	DN 50
G012	G 1/2"
G034	G 3/4"
BW21	BW 21
CL10	Clamp
CL15	Clamp



Field of application

Tubular level gauge is for indication the level height of liquids in any vessel via bypass with the maximum operating pressure up to 1,6 MPa in dependence of operating temperature. Using ball valves and self-closing balls guarantees a high safety.

General data

- Centre to centre C/C: from 100 mm
without coupling up to 2000 mm
over 2000 mm with coupling
- Process connection: flanges DN15-DN50 PN16
thread G 1/2" (M/F), G 3/4" (F),
weld ends (for the pipe 21.3 mm),
CLAMP DN-10-DN15 or
other acc. to customer specification
- Ball valve (BV): DN15 PN16
- Base material: stainless steel (1.4301)
- Material of BV: brass, stainless steel (1.4408)
- Material of sealing: NBR, EPDM, EPDM+,
FPM/FKM, FPM/FEP, MVQ
- Material of glass protection: PVC-Glass, AL tube

Gauge head with male thread

